

Packaging and Shipping

Product Number	Package Info
A00048	Contents: Touchscreen Head Unit Dimensions: 22"L (56 cm) x 14"W (36 cm) x 10"D (25 cm) Shipping: Package delivery service
A00025	Contents: Base Disc Dimensions: 25.5" (65 cm) W x 5.5" (14 cm) H x 25.5" (65 cm) D Shipping: Package delivery service
A00026	Contents: Base Post Dimensions: 42.5" (108 cm) W x 5.5" (14 cm) H x 12.5" (32 cm) D Shipping: Package delivery service

Contents

Boxes	Qty.	Description
Touchscreen Head Unit	1	22" Touchscreen
	1	Spectrio Media Player (attached)
	1	Surge Protector
	1	10' Extension Cord
	2	Placard Brackets
	1	Carriage Bolt
	1	Phillips head Bolt
	1	Lock Knob
	1	Nylon lock nut
	12	6/32" x 5/16" Phillips head screws
Base Post	1	Base Post
	1	Placard
	1	Post Back Panel
Base Disc	1	Base Disc

Installation Requirements

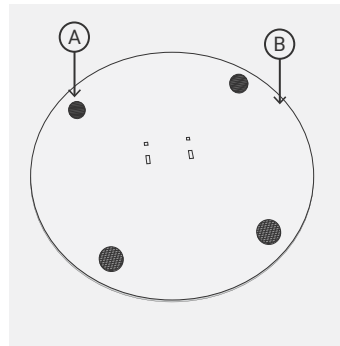
Type	Description
Power	One (1) 100-240V AC 60Hz unswitched (always) power outlet
Internet	Options: <ul style="list-style-type: none"> Wired Ethernet (10/100/1000BASE-T) 802.11 b/g/n wireless access point (VSN-provided) 802.11 b/g/n wireless access point (customer-provided) <ul style="list-style-type: none"> WPA2-PSK [AES] WPA2-PSK [TKIP]
Tools	Large Phillips-Head Screwdriver Small Phillips-Head Screwdriver 7/16" Socket Wrench

Installation Guide

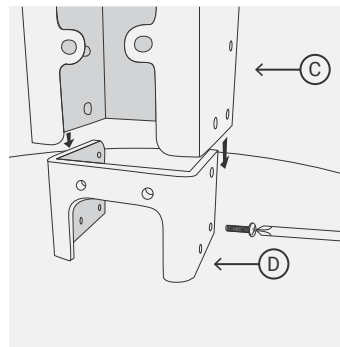
BEFORE INSTALLATION, CAREFULLY REMOVE CONTENTS FROM PACKAGING AND CONFIRM THAT ALL ITEMS ARE INCLUDED.

Note: To watch a video version of these instructions, please visit vs-networks.com/support

- Remove the base from its box and adhere the four adhesive pads (A) to the perimeter of the underside of the base (B) at equal distances from each other. Place the base right side up at the location where the touchscreen will be used.

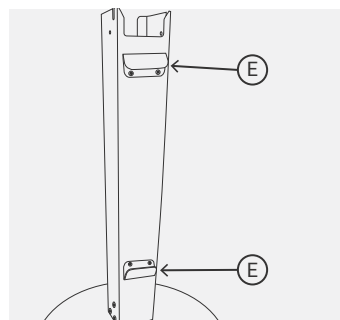


- Remove the touchscreen post (C) from its box and set aside the back cover. Position the post over the U-channel (D) of the base so that all screw holes align. With a large Phillips-head screwdriver, tighten six 1/4" x 1/2" screws through the holes on the left and the right sides of the post and U-channel. Leave the two rear holes open until the back panel is attached.



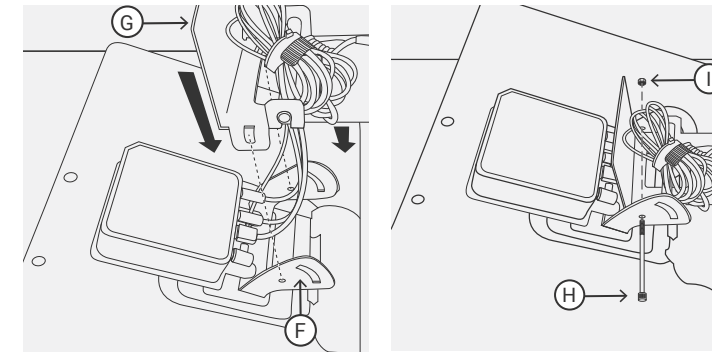
Note: Hand tighten only! Impact drivers will strip out the threaded holes.

- Attach the two placard brackets (E) to the front of the post with four 6/32" x 5/16" screws. The brackets should open towards one another.



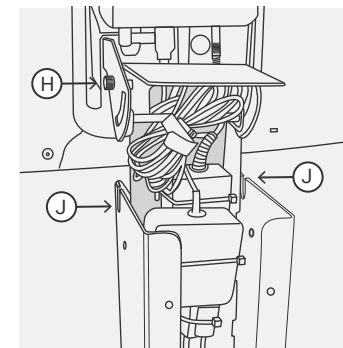
- Remove the touchscreen head unit and power supply bracket from the box, foam inserts, and bag. Carefully place the screen face down on a clean, flat surface.

- Align the top of the power supply bracket (F) so that it fits between the wings of the screen bracket (G). Insert the Phillips head bolt (H) through the screen bracket holes and the tabs of the power supply bracket. Thread the nylon lock nut (I) onto the bolt until the bolt is just past the nylon.

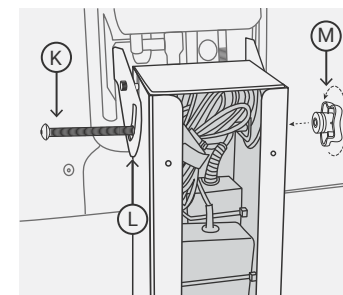


Note: Do not over tighten. The nut and bolt should loosely be holding both brackets together.

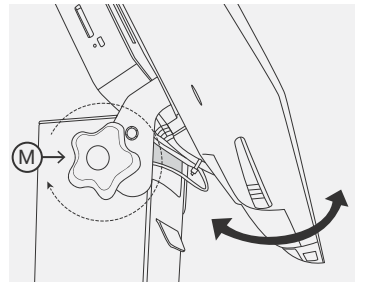
- Pick up the screen with the power supply bracket dangling downwards. Lower the power supply bracket into the top of the post until the bolt (H) rests in the slots (J) of the post. Carefully allow the screen to pivot forward until it rests against the front of the post.



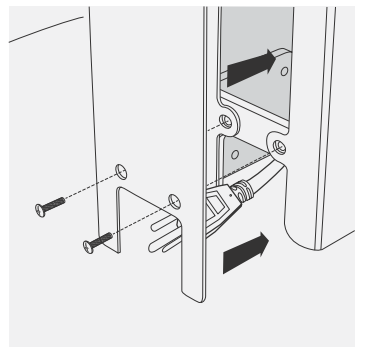
- Insert the carriage bolt (K) through the screen bracket slot (L), the post hole, and the spacer tube of the power supply bracket until it passes through the opposite side of the post and screen bracket. Thread the lock knob (M) onto the end of the bolt.



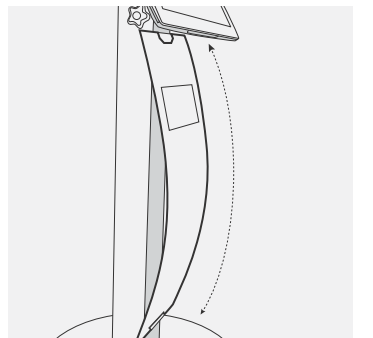
- Tilt the screen to a desirable viewing angle and tighten the lock knob (M) until the screen is able to maintain its position without support.



- Make sure the power cord runs through the mouse hole at the base of the post. Attach the back panel to the post by using eight 6/32" x 5/16" screws as well as the two remaining 1/4" x 1/2" screws.



- Remove any protective film from the placard and insert it between both placard brackets so that the notches on the ends of the placard fit around the brackets. The distance between placard brackets is intended to force the placard to curve outward.



- Attach the supplied extension cord to the end of the power cord coming out of the base of the post. Connect the provided surge protector into the nearest wall outlet and then plug the extension cord into the surge protector. The touchscreen will power up automatically.

- Follow the instructions displayed on the on-screen startup application to connect to the Internet, pair your device, and begin downloading your content. To troubleshoot problems, please refer to the Owner's Manual.

- If you've not yet configured your device, use your web browser to navigate to app.vs-networks.com and sign into your Command account.

- If you continue to have any problems, please contact Spectrio Customer Support.

Safety Information



WARNING: Use of controls, adjustments, procedures, connections, or signal types other than those specified in your documentation may result in exposure to shock, electrical hazards, and/or mechanical hazards.

VS Networks products are not designed for use in hazardous environments.

Place equipment on a hard, level surface.

- Do not stack the equipment, place in an enclosed space, or otherwise install where it is subject to heated air. The equipment should have at least 4 inches (10.2 cm) of clearance on all vented sides to permit the airflow required for proper ventilation. Restricting airflow can damage the equipment or cause overheating.



WARNING: Do not operate the equipment with any cover(s) removed (including covers, bezels, panel inserts, and so on).

- Do not use your equipment in a wet environment. Protect equipment from liquid intrusion.
- Do not use damaged equipment, including exposed, frayed, or damaged power cords.
- Do not push any objects into the air vents or openings of your equipment. Doing so can cause fire or electric shock by shorting out interior components.
- Do not attempt to service the equipment yourself.

Description

The TTS22FS is a freestanding touchscreen media system that provides custom, interactive digital content with automatic software updates.

Features

Supported Content	<ul style="list-style-type: none"> Interactive custom catalog applications Dynamic/interactive HTML5 content
Display Features	<ul style="list-style-type: none"> 22" (diagonal) high-definition 1920 x 1080 active-matrix TFT LCD panel (IPS) LED backlighting for low power consumption Multi-touch capable Internal 4W speakers
Additional Features	<ul style="list-style-type: none"> Cloud-hosted content management system Automatic software updates

Specifications

Screen Dimensions	19.25"L (49 cm) x 11.75"W (30 cm) x 4.25"D (11 cm)
Assembled Dimensions	23" (58.42cm) W x 23" (58.42cm) D x 48.5" (123.19cm) H
Weight	61 lb (27.67 kg) Fully Assembled
Power Consumption	47W (Max) 37W (Nominal) 21W (Sleep)
AC Input	100-240V AC 50 / 60Hz
Operating Temperature	40°F - 105°F
Network Connectivity	<ul style="list-style-type: none"> 802.11 b/g/n WiFi <ul style="list-style-type: none"> WPA2-PSK [AES] WPA2-PSK [TKIP] Wired Ethernet (10/100/1000BASE-T)
Computer	<ul style="list-style-type: none"> 1.8 GHz Intel Celeron N3550 Processor 4GB DDR4 RAM, 64 GB SSD Intel HD graphics

Usage Guide

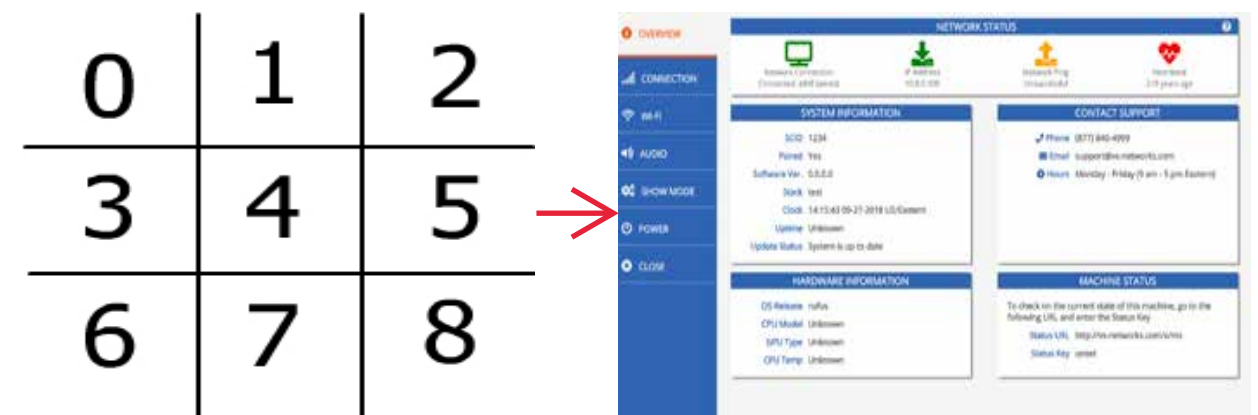
The TTS22FS content and system software are updated automatically, with no maintenance required by the user, provided the device has a constant connection to the Internet.

Web-Based Management Interface

The TTS22FS is fully managed via a web interface which can be accessed at app.vs-networks.com. Using the web interface, volume controls and hours of operation can be viewed and set. User accounts are provided by the Spectrio sales team. In some cases, you may need to use a single sign-on authentication service hosted by your employer, rather than a Spectrio-provided account.

Diagnostics Screen

Imagine the Tic-Tac-Toe number sequence on your screen (left picture below) and touch the screen (if you have a touchscreen setup) or use the USB mouse provided to you and click the number sequence 7002 to access the diagnostic screen (right picture below).



Restart and Shutdown

During maintenance and troubleshooting, it may be necessary to shutdown or restart the device. To shutdown or restart the device select the desired action from the menu options at the top of the diagnostics screen. Enter 8-9-2 on the numeric keypad and select Submit.

Note: The passcode 8-9-2 is the default passcode for any action that must be unlocked on the diagnostic screen.

OSD (On Screen Display) and Power Lockout Enabled

The OSD and Power Locking feature have been enabled, pressing any of the Menu, Up, Down, Select Keys or Power switch will have no effect on the system.

Care and Maintenance

To maintain the appearance and operation of TTS22FS units, periodic dusting and cleaning are highly recommended. To clean, use a dry microfiber cloth to remove any dust. If the screen has significant dirt and grime accumulation, distilled water may be used to slightly dampen a microfiber cloth (do not saturate). To prevent streaking, gently wipe the screen in straight lines until the surface is clean.



WARNING: Never use alcohol or strong solvents as these will damage the media player. Do not spray liquid directly on the media player as this may cause it to seep inside and cause permanent damage!