

Packaging and Shipping

Product Number	Package Info
TMP00XX-06	Contents: Media Player Package Dimensions: 9.75"W (25 cm) x 8"L (20 cm) x 3.25"H (8 cm) Shipping: Package delivery service

Contents

Qty.	Description
4	6" Cable Ties
1	Spectrio media player
1	Media Player power supply
1	3' HDMI cable
1	USB Mouse
2	3M Lock Strips

Installation Requirements

Type	Description
Power	One (1) 115VAC 60Hz unswitched (always active) power outlet
Internet	<ul style="list-style-type: none"> Options: 802.11 b/g/n wireless access point (VSN-provided) 802.11 b/g/n wireless access point (customer-provided) WPA2-PSK [AES] WPA2-PSK [TKIP] Wired Ethernet (10/100/1000BASE-T)
Tools	Phillips-Head Screwdriver

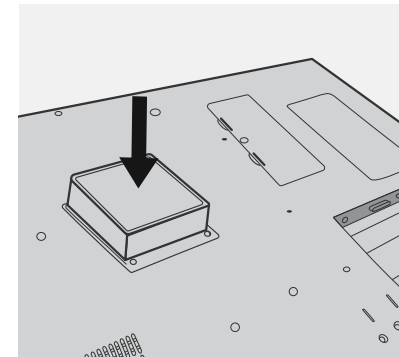
BEFORE INSTALLATION, CAREFULLY REMOVE CONTENTS FROM PACKAGING AND CONFIRM THAT ALL ITEMS ARE INCLUDED.

BEFORE INSTALLING THE TMP00XX, PLEASE ENSURE THAT A DEDICATED, UNSWITCHED POWER SOURCE HAS BEEN LOCATED TO POWER THE TOUCHSCREEN NEAR WHERE IT WILL BE INSTALLED. IF THE TMP00XX PACKAGE INCLUDED A WIRELESS ACCESS POINT, THIS SHOULD BE INSTALLED AT THE LOCATION'S NETWORK SWITCH PRIOR TO POWERING THE TMP00XX.

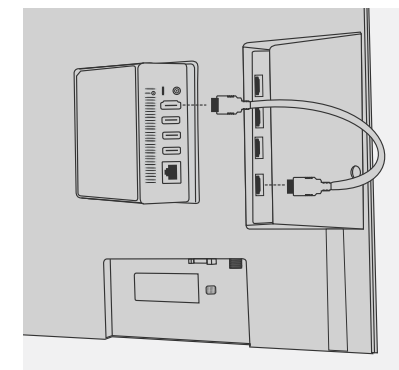
Note: It is possible to connect the TMP00XX to a TV that is not supplied by Spectrio. The TV must have an HDMI input to connect with the TMP00XX. If a non-Spectrio approved TV is connected to the TMP00XX, the media player may not be able to turn the TV on and off at the desired times selected in Spectrio's web-based management interface.

Installation Guide

1. Attach the Spectrio Media player to the back of your display with the provided velcro. Press for 30 seconds to secure.

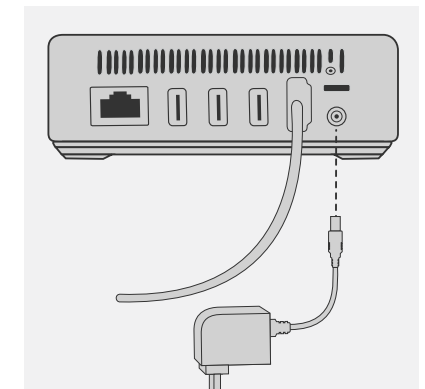


2. Connect the supplied HDMI cable to the display HDMI input and the other end to the HDMI output of the media player. If multiple HDMI ports are available on the display make sure the proper port is selected in the display menu options.



Note: Connecting the HDMI cable to the media player and the monitor/TV should always be done before powering up any hardware.

3. Attach the power supply to the media player and then press the power button to turn it on.



4. Follow the instructions displayed on the on-screen startup application to connect to the Internet, pair your device, and begin downloading your content.
5. If you've not yet selected content for your device, use your web browser to navigate to app.vs-networks.com, and sign into your Command account.

If you continue to have any problems, please contact Spectrio Customer Support.

Safety Information



WARNING: Use of controls, adjustments, procedures, connections, or signal types other than those specified in your documentation may result in exposure to shock, electrical hazards, and/or mechanical hazards.

Spectrio products are not designed for use in hazardous environments.

Place equipment on a hard, level surface.

- Do not stack the equipment, place in an enclosed space, or otherwise install where it is subject to heated air. The equipment should have at least 4 inches (10.2 cm) of clearance on all vented sides to permit the airflow required for proper ventilation. Restricting airflow can damage the equipment or cause overheating.



WARNING: Do not operate the equipment with any cover(s) removed (including covers, bezels, panel inserts, and so on).

- Do not use your equipment in a wet environment. Protect equipment from liquid intrusion.
- Do not use damaged equipment, including exposed, frayed, or damaged power cords.
- Do not push any objects into the air vents or openings of your equipment. Doing so can cause fire or electric shock by shorting out interior components.
- Do not attempt to service the equipment yourself.

Description

The TMP00XX is a compact and low power-consumption media player that displays high-quality, custom digital content and features automatic software updates and complete control via the Internet.

Features

Supported Content	<ul style="list-style-type: none"> Video formats <ul style="list-style-type: none"> 3G2, 3PG, ASF, AVI, M2TS, M4V, MKV, MOV, MP4, MPEG, MTS, MXF, Ogg, OGV, TS, WebM, WMV Image formats <ul style="list-style-type: none"> JPEG, PNG Microsoft PowerPoint® <ul style="list-style-type: none"> PPT PPTX
Display Resolutions	<ul style="list-style-type: none"> 1920 x 1080 (1080p) 1280 x 720 (720p)
Additional Features	<ul style="list-style-type: none"> Cloud-hosted content management system Automatic software updates

Specifications

Dimensions	4"L (10 cm) x 4.5"W (11.4 cm) x 1.5"H (3.8 cm)
Weight	4 lb (2 kg)
Power Consumption	12W (Max) 4W (Nominal) 4W (Sleep)
AC Input	100-240V AC 50/60Hz
Operating Temperature	40°F - 105°F
Network Connectivity	802.11 b/g/n WiFi WPA2-PSK [AES] WPA2-PSK [TKIP] Wired Ethernet (10/100/1000BASE-T)
Computer	1.8 GHz Intel Celeron N3350 Processor 4GB DDR4 RAM, 64 GB SSD Intel HD graphics

Usage Guide

Diagnostics Screen

The media player features an embedded diagnostic screen for owner use and convenience. The diagnostic screen is useful for determining network connectivity, media system status, and providing device specifications and data to technical support personnel. The embedded diagnostics screen also provides the ability to properly shutdown or restart the media player.

Imagine the Tic-Tac-Toe number sequence on your screen (left picture below) and touch the screen (if you have a touchscreen setup) or use the USB mouse provided to you and click the number sequence 7002 to access the diagnostic screen (right picture below).



Restart and Shutdown

During maintenance and troubleshooting, it may be necessary to shutdown or restart the media player. To shutdown or restart the device attach a mouse to the media player to navigate the diagnostic screen. Select the desired action from the menu options at the top of the screen. Enter 8-9-2 on the numeric keypad and select Submit.

Note: The passcode 8-9-2 is the default passcode for any action that must be unlocked on the diagnostic screen.

Web-Based Management Interface

The media player is fully managed via a web interface which can be accessed at app.vs-networks.com/. Using the web interface, volume controls and hours of operation can be viewed and set. User accounts are provided by the Spectrio sales team. In some cases, you may need to use a single sign-on authentication service hosted by your employer, rather than a Spectrio-provided account.

Care and Maintenance

Periodic dusting and cleaning of the TMP00XX Media Player and its display system is highly recommended. To clean, please use a dry microfiber cloth to remove any dust. The cloth can be damp, but not saturated with fluid.



WARNING: Never use alcohol or strong solvents as these will damage the media player. Do not spray liquid directly on the media player as this may cause it to seep inside and cause permanent damage!